

PowerAmp Design

RAIL TO RAIL OPERATIONAL AMPLIFIER

PAD137

Rev D

KEY FEATURES

- LOW COST
- SINGLE SUPPLY OPERATION
- RAIL TO RAIL INPUT & OUTPUT
- HIGH VOLTAGE – 100 VOLTS
- HIGH OUTPUT CURRENT – 20A
- 140 WATT DISSIPATION CAPABILITY
- 300 WATT OUTPUT CAPABILITY
- WIDE SUPPLY RANGE $\pm 5V - \pm 50V$
- INTEGRATED HEAT SINK AND FAN
- TEMPERATURE REPORTING
- OVER-TEMPERATURE SHUTDOWN

APPLICATIONS

- LINEAR MOTOR DRIVE
- INDUSTRIAL (PA) AUDIO
- SEMICONDUCTOR TESTING
- VIBRATION CANCELLATION
- MAGNETIC BEARINGS

DESCRIPTION

The PAD137 high power operational amplifier is constructed with surface mount components to provide a cost effective solution for many industrial applications. With a footprint only 5.6 in² the PAD137 offers outstanding performance that rivals much more expensive hybrid component amplifiers or rack-mount amplifiers. User selectable external compensation tailors the amplifier's response to the application requirements. The PAD137 also features a substrate temperature reporting output and over-temperature shutdown. The amplifier circuitry is built on a thermally conductive but electrically insulating substrate mounted to an integrated heat sink and fan assembly. No BeO is used in the amplifier. The resulting module is a small, high performance turn-key solution for many industrial applications.



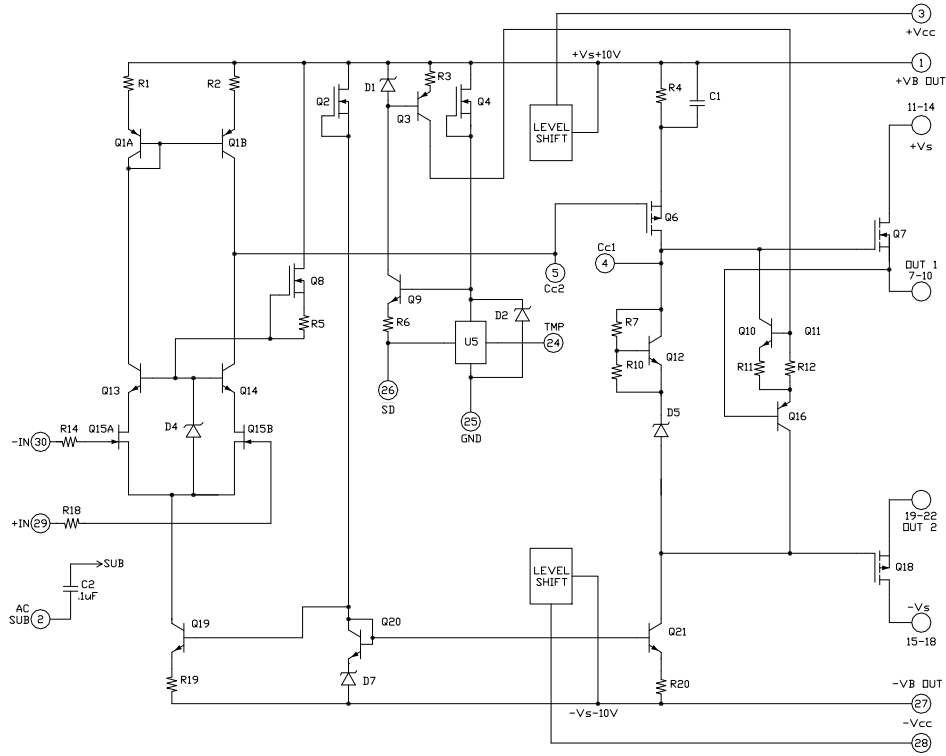
PAD137 MOUNTED IN EVALUATION KIT

A NEW CONCEPT

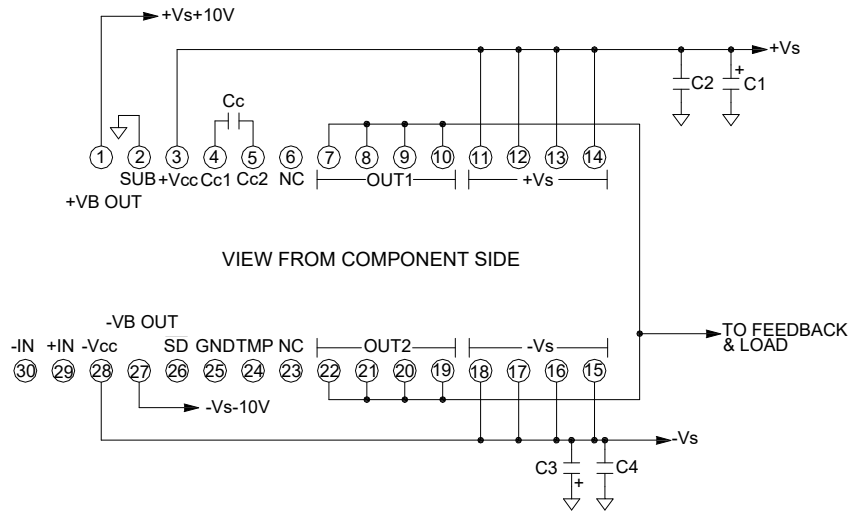
A critical task in any power amplifier application is cooling the amplifier. Until now component amplifier manufacturers often treated this task as an after-thought, left for the user to figure out. At **Power Amp Design** the best heat sink and fan combination is chosen at the start and becomes an integral part of the overall amplifier design. The result is the most compact and volumetric efficient design combination at the lowest cost. In addition, this integrated solution concept offers an achievable real-world power dissipation rating, not the ideal rating usually cited when the amplifier case is somehow kept at 25°C. The user no longer needs to specify, procure or assemble separate components.

PowerAmp Design ♦ PAD137 ♦ RAIL TO RAIL OPERATIONAL AMPLIFIER

EQUIVALENT CIRCUIT



AMPLIFIER PINOUT & CONNECTIONS



Power Amp Design ♦ PAD137 ♦ RAIL TO RAIL OPERATIONAL AMPLIFIER

SPECIFICATIONS

SUPPLY VOLTAGE, +Vs to -Vs ⁷	100V	INPUT VOLTAGE	+Vcc to -Vcc
SUPPLY VOLTAGE, +Vcc to -Vcc ⁷	100V	OUTPUT CURRENT, peak	30A, within SOA
DIFFERENTIAL INPUT VOLTAGE	± 20V	POWER DISSIPATION, internal, DC	140W
TEMPERATURE, pin solder, 10s	300°C	TEMPERATURE, junction ²	150°C
TEMPERATURE RANGE, storage	-40 to 70°C ⁵	OPERATING TEMPERATURE, heat sink	-40 to 105°C

ABSOLUTE MAXIMUM RATINGS

PARAMETER	TEST CONDITIONS ¹	MIN	TYP	MAX	UNITS
INPUT					
OFFSET VOLTAGE			1	3	mV
OFFSET VOLTAGE vs. temperature	Full temperature range		20	50	μV/°C
OFFSET VOLTAGE vs. supply				20	μV/V
BIAS CURRENT, initial ³				100	pA
BIAS CURRENT vs. supply				0.1	pA/V
OFFSET CURRENT, initial				50	pA
INPUT RESISTANCE, DC			100		G Ω
INPUT CAPACITANCE			4		pF
COMMON MODE VOLTAGE RANGE		± Vcc			V
COMMON MODE REJECTION, DC		92			dB
NOISE, referred to input	100kHz bandwidth, 1kΩ R _s		1		mVrms
SHUTDOWN (SD)	Grounded			1	mA
GAIN					
OPEN LOOP	R _L = 100Ω, C _C =100pF	100			dB
GAIN BANDWIDTH PRODUCT @ 1MHz			1		MHz
PHASE MARGIN	Full temperature range	60			degree
OUTPUT					
VOLTAGE SWING	I _o = 20A, I _o = 15A @ ±5VS	+Vs-1			V
VOLTAGE SWING	I _o = -20A, I _o = -15A @ ±5VS	-Vs+1.5			V
CURRENT, continuous, DC	± Vs ≥ ±8V	20			A
CURRENT, continuous, DC	± Vs = ±5V	15			A
SLEW RATE, A _v = -10	C _C = 100pF	6.4	8		V/μS
SETTLING TIME, to 0.1%	2V Step		2		μS
RESISTANCE	No load, DC		3		Ω
SHUTDOWN					
TRANSITION TIME, off	± output voltage to zero		1		μS
TRANSITION TIME, on	Zero to normal output		2		μS
CURRENT	internal currents dumped into load		± 6		mA
POWER SUPPLY					
VOLTAGE		±5	± 35	± 50	V
CURRENT, quiescent			32	38	mA
+VB OUT, -VB OUT, load	Output voltage for accessory modules			± 1.5	mA
THERMAL					
RESISTANCE, AC, junction to air ⁴	Full temperature range, f ≥ 60Hz			.7	°C/W
RESISTANCE, DC, junction to air	Full temperature range			.9	°C/W
TEMPERATURE RANGE, ambient air ⁵		-40		70	°C
TEMPERATURE, shutdown, substrate			110		°C
FAN, 60mm dc brushless, ball bearing					
OPERATING VOLTAGE			12		V
OPERATING CURRENT			150		mA
AIR FLOW			25		CFM
RPM			3800		RPM
NOISE			30		dB
L10, life expectancy, 50°C ⁶			45		kHrs
L10, life expectancy, 25°C ⁶			60		kHrs

NOTES:

1. Unless otherwise noted: T_c=25°C, compensation C_c=470pF, DC input specifications are ± value given, power supply voltage is typical rating.
2. Derate internal power dissipation to achieve high MTBF.
3. Doubles for every 10°C of case temperature increase.
4. Rating applies if the output current alternates between both output transistors at a rate faster than 60Hz.
5. Limited by fan characteristics. During operation, even though the heat sink may be at 85°C or more the fan will be at a lower temperature.
6. L10 refers to the time it takes for 10% of a population of fans to fail. Lower ambient temperature increase fan life.
7. +Vs and +Vcc tied together, -Vs and -Vcc tied together

COMMON MODE RANGE

The PAD137 is a rail to rail operational amplifier. This means that it works equally well with the input pins biased to either supply rail or at any voltage in between. The most common application utilizing this function is the single supply voltage amplifier where the +IN pin and the -Vs supply pin are grounded.

OUTPUT SWING

With no load the output voltage of the PAD137 can swing to either supply voltage rail. As the load current increases the maximum output swing is reduced, but at 20A output the swing from the positive supply rail is less than 1V and less than 1.5V from the negative supply rail. This does not include any voltage drop due to the sensing voltage required for the current limit circuit to operate.

COOLING FAN

The PAD137 relies on its fan for proper cooling of the amplifier. Make sure that air flow to the fan and away from the heat sink remains unobstructed. To eliminate electrical noise created by the cooling fan we recommend a 47 μ F capacitor placed directly at the point where the fan wires connect to the PCB. See application note AN-24 for further details.

CURRENT LIMIT

The PAD137 does not have a current limiting circuit built in. However, a Current Limit Accessory Module, model PAD125, is available if the current limiting function is needed for the application. See the PAD125 datasheet and Figure 2, **Application Circuits** for a typical connection diagram.

MOUNTING THE AMPLIFIER

The amplifier is supplied with four 4-40 M/F hex spacers at the four corners of the amplifier. Since the male threaded ends of the spacers extend beyond the amplifier pins the spacers provide a convenient alignment tool to guide the insertion of the amplifier pins into the circuit board. Once the amplifier is seated secure the module with the provided 4-40 nuts and torque to 4.7 in lb [53 N cm] max. See “**Dimensional Information**” for a detailed drawing. It is recommended that the heat sink be grounded to the system ground. This can easily be done by providing a grounded circuit board pad around any of the holes for the mounting studs.

TEMPERATURE REPORTING

An analog output voltage is provided (pin 24, TMP) relative to ground and proportional to the temperature in degrees C. The slope is approximately -10.82mV/°C. The output voltage follows the equation:

$$T = (2.127 - V) (92.42)$$

Where V is the TMP output voltage and T is the substrate temperature in degrees C.

This high impedance output circuit is may be susceptible to capacitive loading and pickup from the output of the amplifier. It is filtered internally but some application circuits may need additional external filtering as shown in Figure 3. See **Applications Circuits**.

THERMAL SHUTDOWN

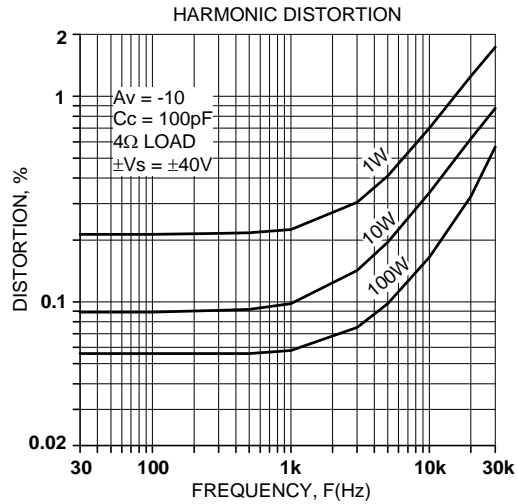
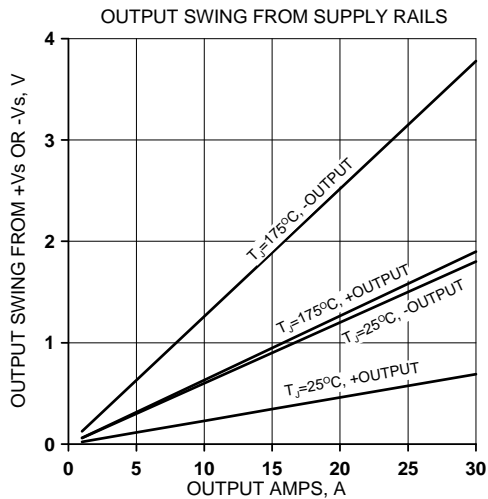
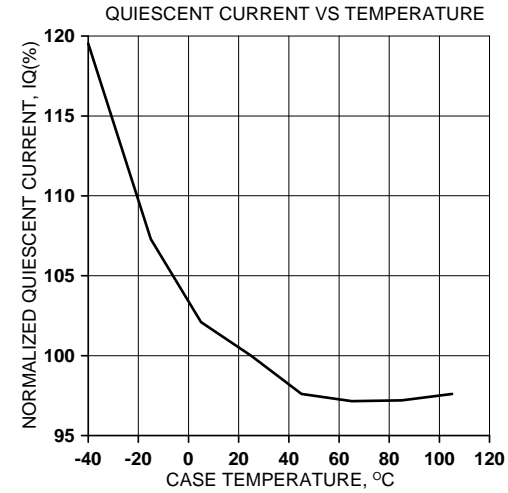
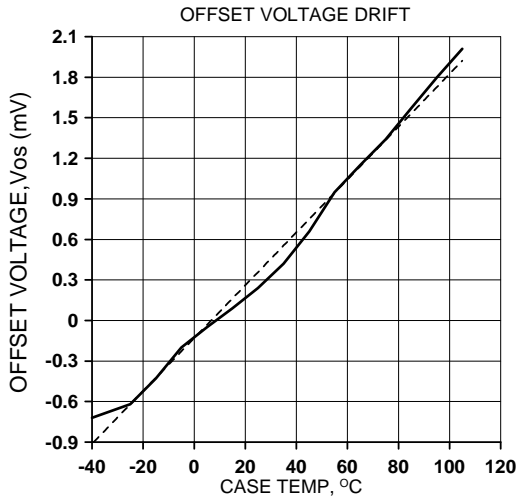
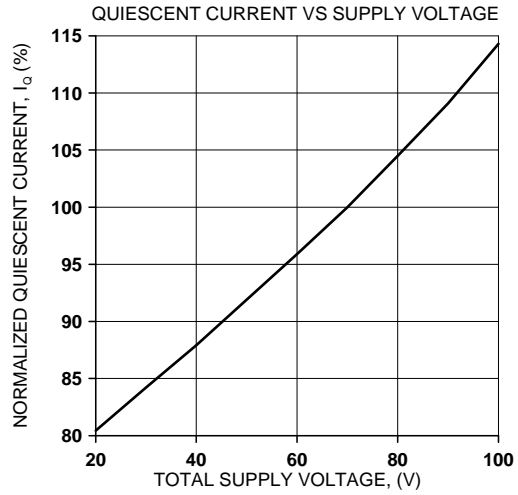
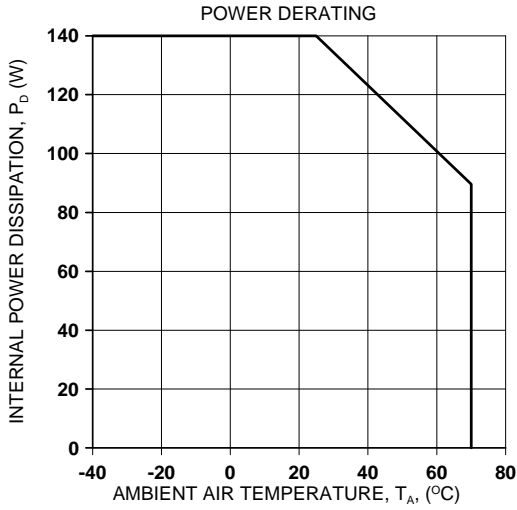
The temperature monitoring circuit automatically turns off the output transistors when the substrate temperature reaches 110°C. When the substrate cools down 10°C the output is enabled once again. The thermal shutdown feature is activated either by amplifier overloads or a failure of the fan circuit.

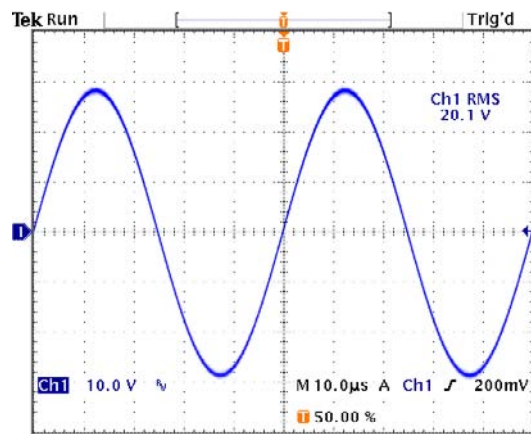
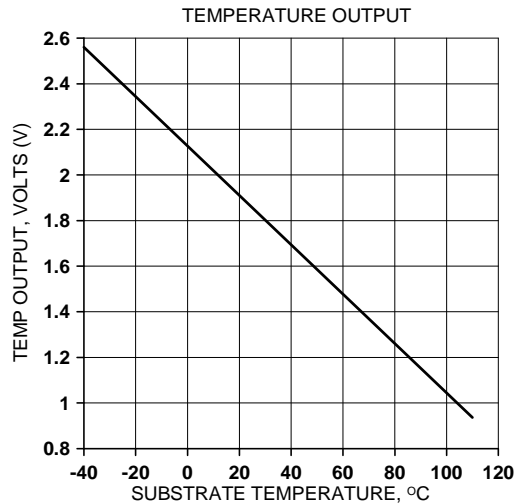
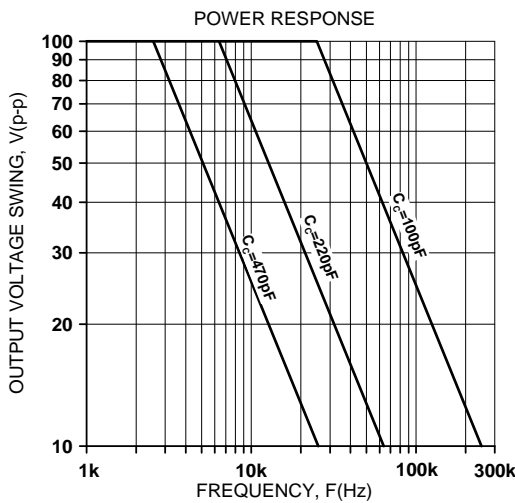
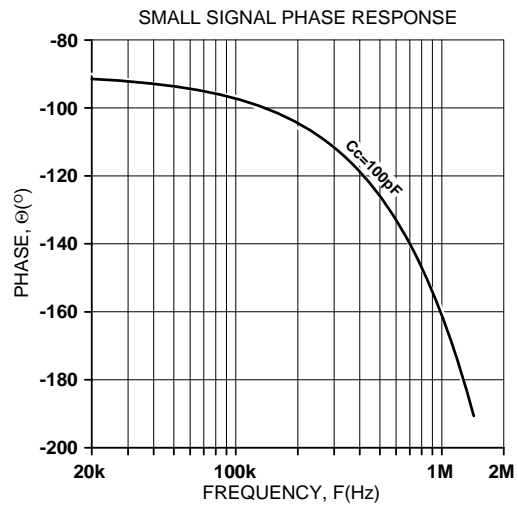
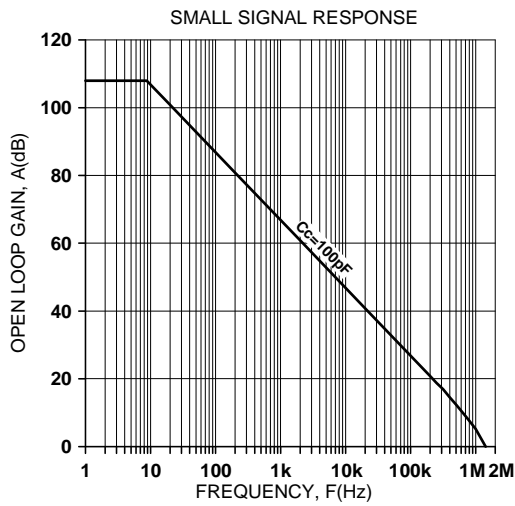
EXTERNAL SHUTDOWN

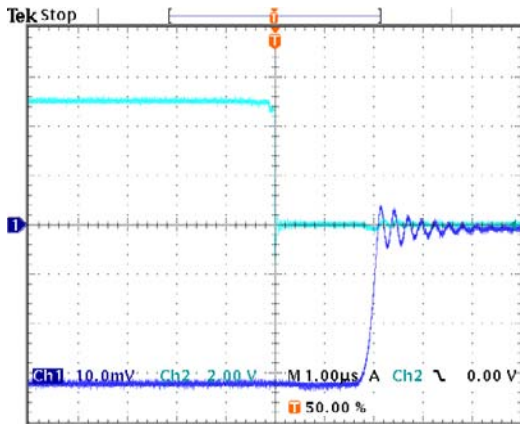
When pin 26 (\overline{SD}) is taken low (ground) the output stage is turned “off” and remains “off” as long as pin 26 is low. When pin 26 is monitored with a high impedance circuit it also functions as a flag, reporting when the amplifier is shut down. A “high” (+5V) on pin 26 indicates the temperature is in the normal range. A “low” (ground) indicates a shutdown condition. See Figure 1, **Application Circuits** for details on how to implement an external shutdown circuit and how to monitor the shutdown status

PHASE COMPENSATION

The PAD137 **must** be phase compensated to operate correctly. The compensation capacitor, C_C , is connected between pins 4 and 5. On page 6, Typical Performance Graphs, you will find plots for small signal response and phase response using compensation values of 100pF and 470pF. The compensation capacitor must be an NPO type capacitor rated for the full supply voltage (100V). On page 2, under Amplifier Pinout and Connections, a table gives recommended compensation capacitance values for various gains and the resulting slew rate for each capacitor value.





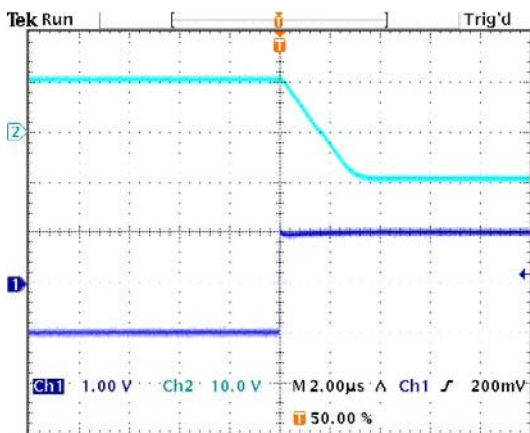
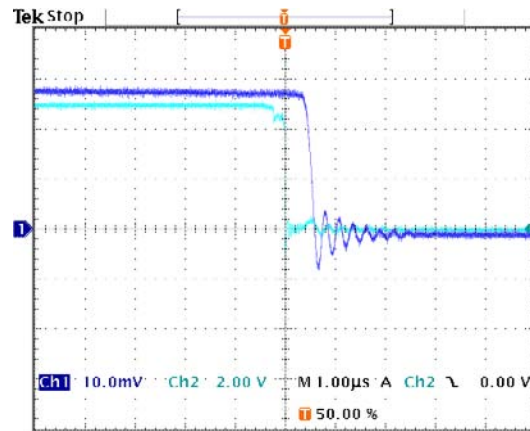


SHUTDOWN RESPONSE, NEGATIVE OUTPUT TO ZERO TRANSITION

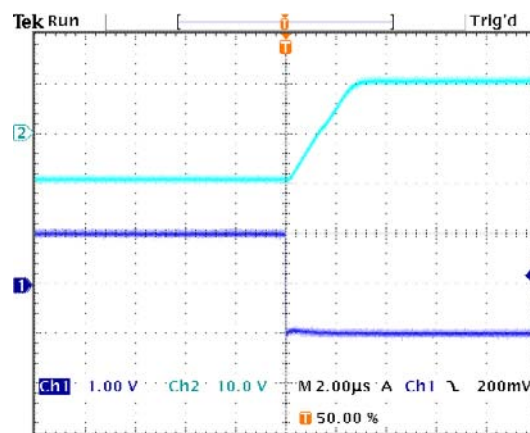
The oscilloscope display at the left shows an expanded view of a 1kHz 1.2A p-p amplifier output signal being interrupted near the negative peak by a shutdown signal on Ch2. The Ch1 display shows the output *current* going to zero about 2µS after the shutdown signal goes low. The ringing in the output signal is due to inductance in the output line.

SHUTDOWN RESPONSE, POSITIVE OUTPUT TO ZERO TRANSITION

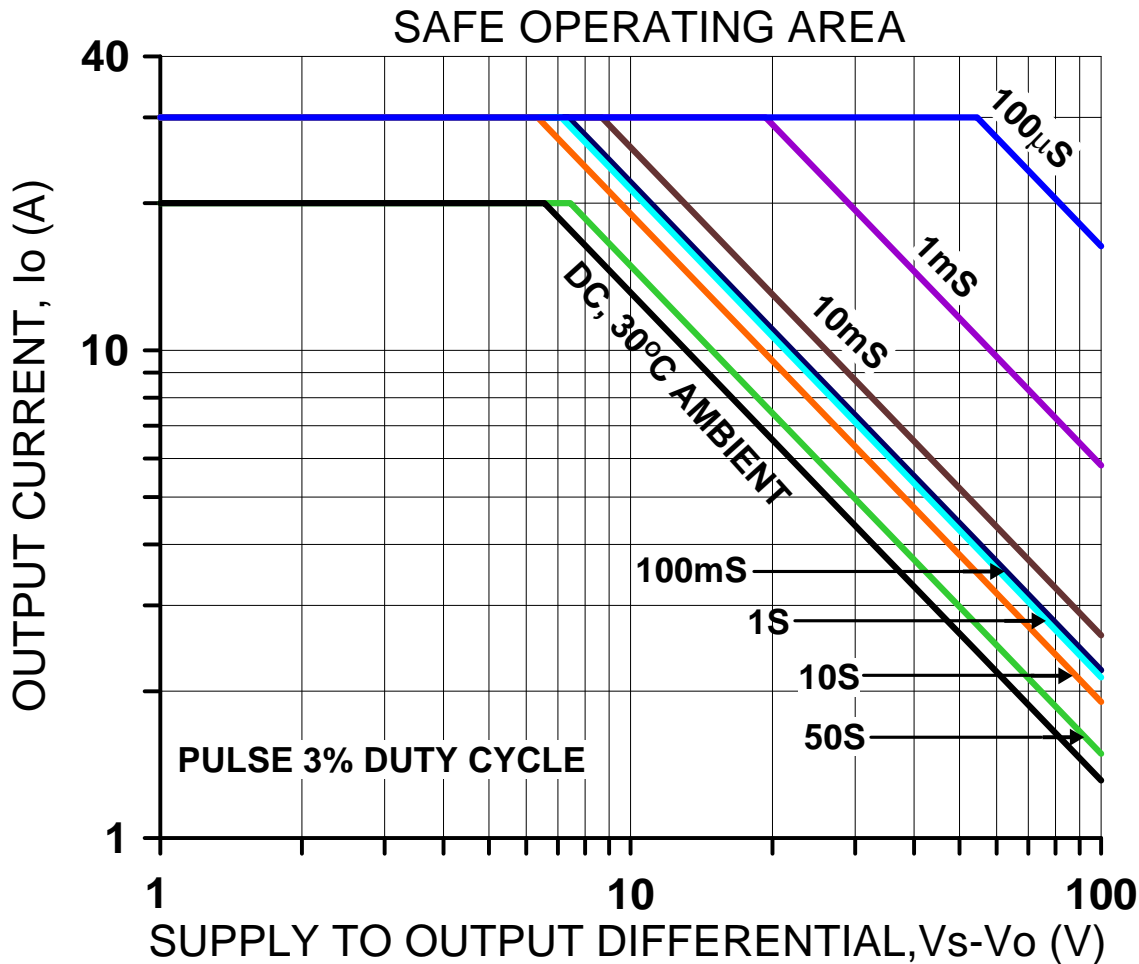
The oscilloscope display at the right shows an expanded view of a 1kHz 1.2A p-p amplifier output signal being interrupted near the positive peak by a shutdown signal on Ch2. The Ch1 display shows the output *current* going to zero about 0.5µS after the shutdown signal goes low. The ringing in the output signal is due to inductance in the output line.



Pulse Response, Positive to Negative, 4Ω Load
G=-10, Cc=100pF

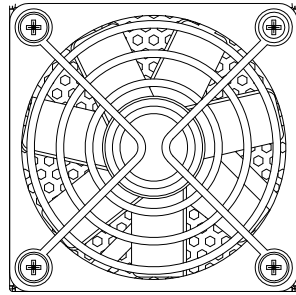


Pulse Response, Negative to Positive, 4Ω Load
G=-10, Cc=100pF



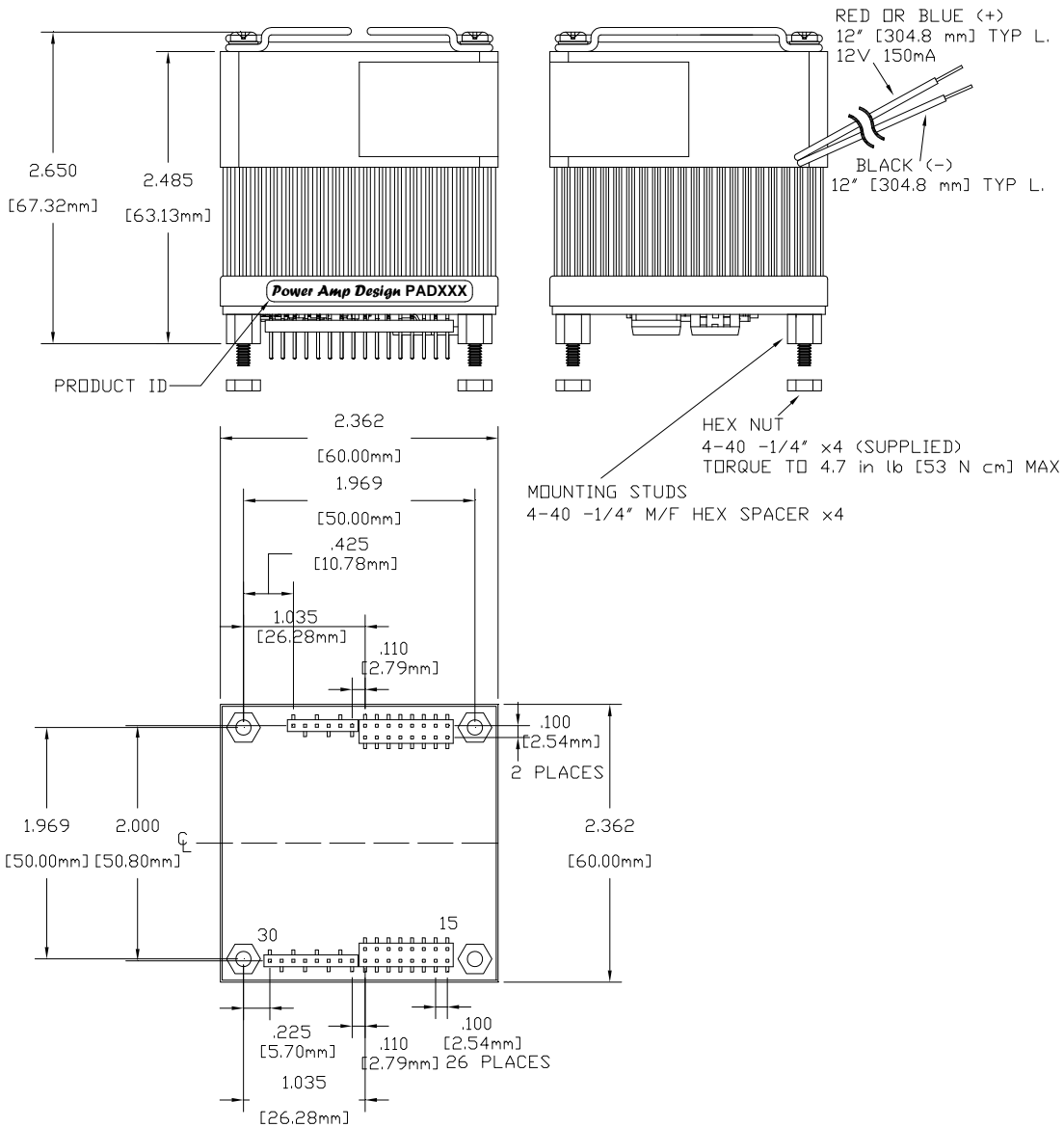
SAFE OPERATING AREA

The safe operating area (SOA) of a power amplifier is its single most important specification. The SOA graph presented above serves as a first approximation to help you decide if the PAD137 will meet the demands of your application. But a more accurate determination can be reached by making use of the **PAD Power**™ spreadsheet which can be found in the *Power Amp Design* website under the *Design Spreadsheet* tab. While the graph above adequately shows DC SOA and some pulse information it does not take into account ambient temperatures higher than 30°C, AC sine, phase or non-symmetric conditions that often appear in real-world applications. The **PAD Power**™ spreadsheet takes all of these effects into account.



NOTES:

1. PINS .0025" SQUARE X30
2. RECOMMENDED HOLE FOR MOUNTING 0.129" X4
3. RECOMMENDED HOLE FOR PINS 0.052" D.
4. TOTAL ASSEMBLY WEIGHT APPROX 8.1 oz [230 g]
5. HEAT SINK WEIGHT APPROX 4.55 oz [129 g]



Power Amp Design ♦ PAD137 ♦ RAIL TO RAIL OPERATIONAL AMPLIFIER

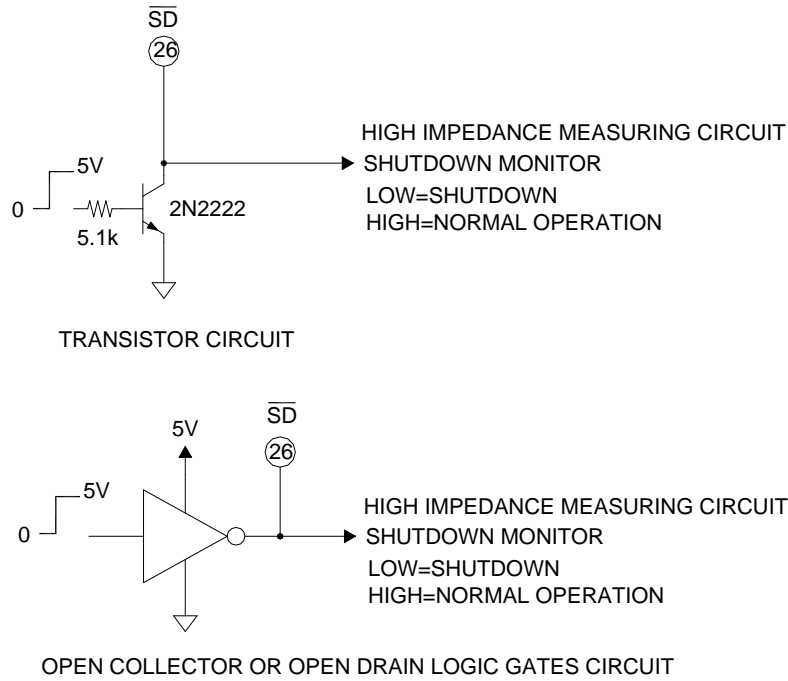


FIGURE 1.
EXTERNAL SHUTDOWN WITH MONITOR

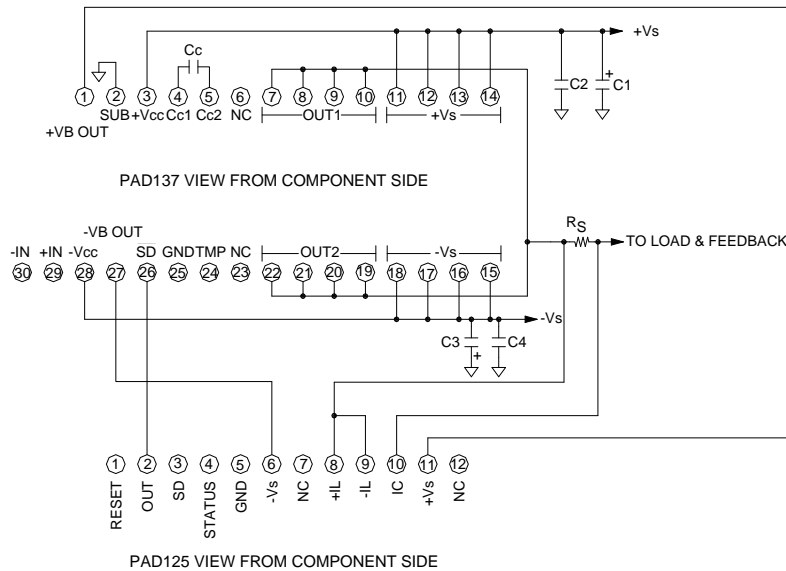


FIGURE 2.
TYPICAL PAD137 CONNECTIONS TO PAD125 ACCESSORY MODULE

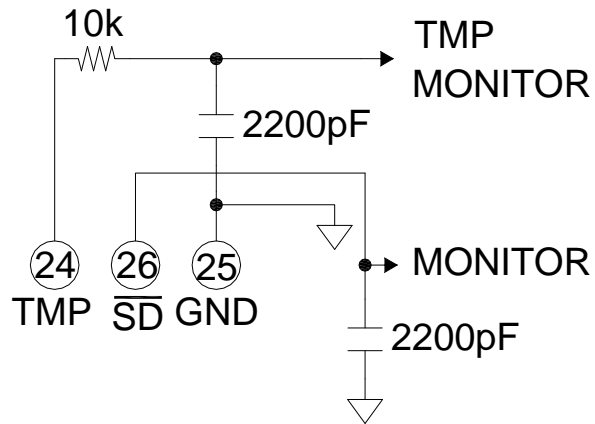


FIGURE 3
MONITORING TMP AND \overline{SD} OUTPUTS