


PowerAmp Design

HIGH VOLTAGE OPERATIONAL AMPLIFIER

PAD113

Rev J

KEY FEATURES

- LOW COST
- HIGH VOLTAGE – 500 VOLTS
- HIGH OUTPUT CURRENT –1.5A
- 29 WATT DISSIPATION CAPABILITY
- 97 WATT OUTPUT CAPABILITY
- INTEGRATED HEAT SINK AND FAN
-  RoHS COMPLIANT (JAN. 2014)

APPLICATIONS

- PIEZO TRANSDUCER DRIVE
- HIGH VOLTAGE INSTRUMENTATION
- SEMICONDUCTOR TESTING

DESCRIPTION

The PAD113 high voltage operational amplifier is constructed with surface mount components to provide a cost effective solution for many industrial applications. With a footprint only 3.8 in² the PAD113 offers outstanding performance that rivals much more expensive hybrid component amplifiers or rack-mount amplifiers. User selectable external compensation tailors the amplifier's response to the application requirements. Four-wire programmable current limit is built-in. The PAD113 also features a substrate temperature reporting output and over-temp shutdown. The amplifier circuitry is built on a thermally conductive but electrically insulating substrate mounted to an integral heat sink and fan assembly. No BeO is used in the PAD113. The resulting module is a small, high performance turn-key solution for many industrial applications. For custom applications the PAD113-1 is also available without the heat sink and fan.



PAD113



PAD113-1



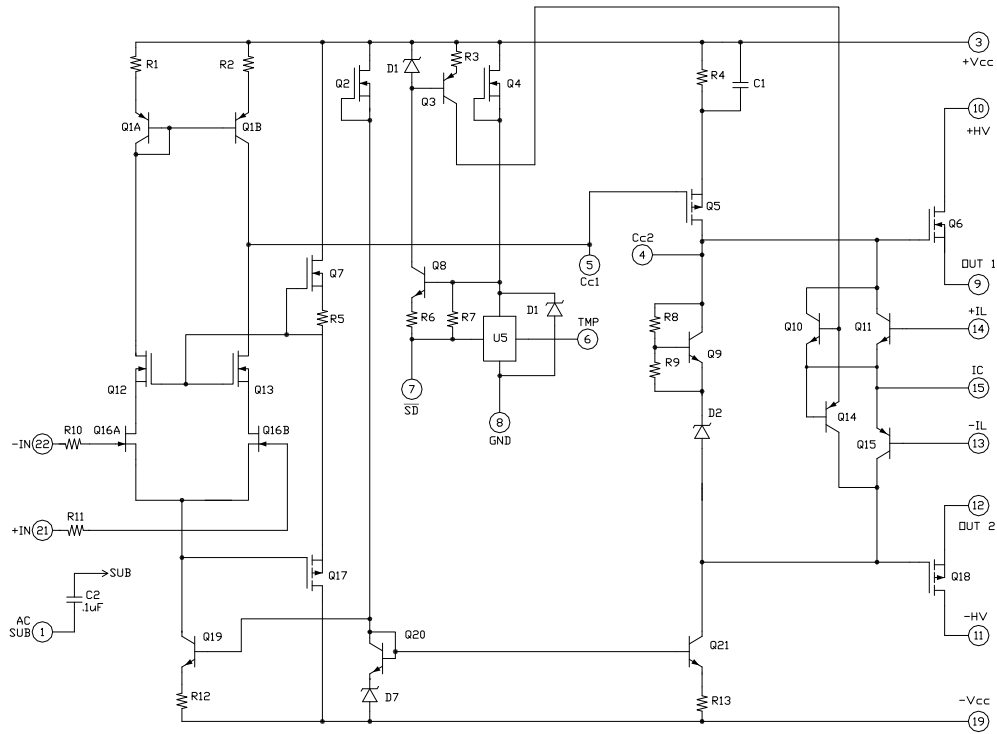
PAD113 INSTALLED IN EVALUATION KIT

A NEW CONCEPT

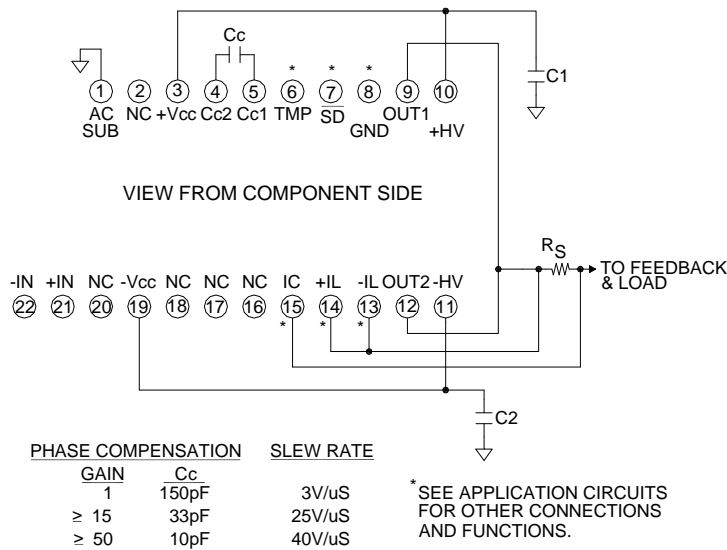
A critical task in any power amplifier application is cooling the amplifier. Until now component amplifier manufacturers often treated this task as an after-thought, left for the user to figure out. At **Power Amp Design** the best heat sink and fan is chosen at the start and becomes an integral part of the overall amplifier design. The result is the most compact and volumetric efficient design combination at the lowest cost. In addition, this integrated solution concept offers an achievable real-world power dissipation rating, not the ideal rating usually cited when the amplifier case is somehow kept at 25°C. The user no longer needs to specify, procure or assemble separate components.

PowerAmp Design ♦ PAD113 ♦ HIGH VOLTAGE OPERATIONAL AMPLIFIER

EQUIVALENT CIRCUIT



PINOUT & CONNECTIONS



Power Amp Design ♦ PAD113 ♦ HIGH VOLTAGE OPERATIONAL AMPLIFIER

ABSOLUTE MAXIMUM RATINGS

SUPPLY VOLTAGE, +HV to -HV	500V	INPUT VOLTAGE	+Vcc to -Vcc
SUPPLY VOLTAGE, +Vcc to -Vcc	500V	DIFFERENTIAL INPUT VOLTAGE	± 20V
SUPPLY VOLTAGE, +Vcc	+HV+15V ⁷	TEMPERATURE, pin solder, 10s	300°C
SUPPLY VOLTAGE, -Vcc	-HV-15V ⁷	TEMPERATURE, junction ²	150°C
OUTPUT CURRENT, peak	1.5A, within SOA	TEMPERATURE RANGE, storage	-40 to 70°C ⁵
POWER DISSIPATION, internal, DC	29W Total, 45W PAD113-1	OPERATING TEMPERATURE, heat sink	-40 to 105°C

PARAMETER	TEST CONDITIONS ¹	MIN	TYP	MAX	PAD113-1 ⁹	UNITS
INPUT						
OFFSET VOLTAGE			1	3		mV
OFFSET VOLTAGE vs. temperature	Full temperature range		20	50		μV/°C
OFFSET VOLTAGE vs. supply				20		μV/V
BIAS CURRENT, initial ³				100		pA
BIAS CURRENT vs. supply				0.1		pA/V
OFFSET CURRENT, initial				50		pA
INPUT RESISTANCE, DC			100			G Ω
INPUT CAPACITANCE			4			pF
COMMON MODE VOLTAGE RANGE				+Vcc-15		V
COMMON MODE VOLTAGE RANGE				-Vcc+7		V
COMMON MODE REJECTION, DC		110	128			dB
NOISE	100kHz bandwidth, 1kΩ R _s		10			μV RMS
SHUTDOWN (SD)	Grounded			1		mA
GAIN						
OPEN LOOP	R _L = 10kΩ, C _c =2.7pF	108				dB
GAIN BANDWIDTH PRODUCT @ 1MHz			4			MHz
PHASE MARGIN	Full temperature range	60				degree
OUTPUT						
VOLTAGE SWING	I _o = 1A	+HV-8	+HV-6			V
VOLTAGE SWING	I _o = -1A	-HV+8	-HV+6			V
CURRENT, continuous, DC				1.5		A
SLEW RATE, A _v = -100	C _c = 10pF	40				V/μS
SETTLING TIME, to 0.1%	2V Step, C _c =10pF		5			μS
RESISTANCE	No load, DC		15			Ω
POWER SUPPLY						
VOLTAGE		± 40	± 225	± 250		V
CURRENT, quiescent			10	11.5		mA
CURRENT, shutdown, pin 7 low			1.2	1.7		mA
THERMAL						
RESISTANCE, AC, junction to air ⁶	Full temperature range, f ≥ 60Hz			2.6 to air	1.7 to case	°C/W
RESISTANCE, DC junction to air or case	Full temperature range			4.3 to air	2.8 to case	°C/W
TEMPERATURE RANGE, substrate		-40		105	105	°C
TEMPERATURE RANGE, ambient				70	NA	°C
FAN, 40mm dc brushless, ball bearing						
OPERATING VOLTAGE			12		NA	V
OPERATING CURRENT			150		NA	mA
AIR FLOW			5		NA	CFM
RPM			8000		NA	RPM
NOISE			31		NA	dB
L10, life expectancy, 50°C ⁸			45		NA	kHrs
L10, life expectancy, 25°C ⁸			60		NA	kHrs

NOTES:

1. Unless otherwise noted: T_c=25°C, compensation C_c=220pF, DC input specifications are ± value given, power supply voltage is typical rating.
2. Derate internal power dissipation to achieve high MTBF.
3. Doubles for every 10°C of case temperature increase.
4. +HV and -HV denote the positive and negative supply voltages to the output stage. +Vcc and -Vcc denote the positive and negative supply voltages to the input stages.
5. Limited by fan characteristics. During operation, even though the heat sink may be at 85°C or more the fan will be at a lower temperature.
6. Rating applies if the output current alternates between both output transistors at a rate faster than 60Hz.
7. Power supply voltages +Vcc and -Vcc must not be less than +HV and -HV respectively. Total voltage +Vcc to -Vcc 500V maximum.
8. L10 refers to the time it takes for 10% of a population of fans to fail. Lower ambient temperature increases fan life.
9. Specifications for the PAD113-1 are the same as for the PAD113 except as shown in this column.

SAFETY FIRST

The operating voltages of the PAD113 are potentially deadly. When developing an application circuit it is wise to begin with power supply voltages as low as possible while checking for circuit functionality. Increase supply voltages slowly as confidence in the application circuit increases. Always use a “hands off” method whereby test equipment probes are attached only when power is off. See **application note AN-16 for PCB layout guidelines**.

EXTERNAL CIRCUIT COMPONENTS

The output of the PAD113 can swing up to +/- 240V and this may stress or destroy external components that are often not seriously considered when developing circuits with small signal op amps. High voltage rated resistors may be purchased for the feedback circuit or, alternately, several ordinary resistors may be placed in series to obtain the proper voltage rating. The compensation capacitor C_C is a NPO type and is rated for 500V. See **AN-16 for PCB layout guidelines**.

COOLING FAN

The PAD113 relies on its fan for proper cooling of the amplifier. Make sure that air flow to the fan and away from the heat sink remains unobstructed. To eliminate electrical noise created by the cooling fan we recommend a 47 μ F capacitor placed directly at the point where the fan wires connect to the PCB. See application note AN-24 for further details.

CURRENT LIMIT

The current limiting function of the PAD113 is a versatile circuit that can be used to implement a four-wire current limit configuration or, in combination with some external components can be configured to implement a fold-over current limit circuit. The four-wire current limit configuration insures that parasitic resistance in the output line, R_p , does not affect the programmed current limit setting. See Figure 1. The sense voltage for current limit is 0.63V. Thus approximately:

$$I_L = \frac{0.63V}{R_S}$$

Where I_L is the value of the limited current and R_S is the value of the current limit sense resistor from 0.4 Ω -40 Ω . See **graph for Current Limit Value vs R_S** .

In addition, the sense voltage has a temperature coefficient approximately equal to -2.2mV/ $^{\circ}$ C. The fold-over function reduces the available current as the voltage across the output transistors increases to help insure that the SOA of the output transistors is not exceeded. Refer to **Application Circuits** for details on how to connect the current limit circuitry to implement either a four-wire current limit or current limit with a fold-over function. The PAD113 is also compatible with the precision PAD125 Current Limit Accessory Module. See Figure 4 and the datasheet for the PAD125 for further details.

MOUNTING THE AMPLIFIER

The amplifier is supplied with four 4-40 M/F hex spacers at the four corners of the amplifier. Once the amplifier is seated, secure the module with the provided 4-40 nuts and torque to 4.7 in lb [53 N cm] max. See “**Dimensional Information**” for a detailed drawing. It is recommended that the heat sink be grounded to the system ground. This can easily be done by providing a grounded circuit board pad around any of the holes for the mounting studs.

TEMPERATURE REPORTING

An analog output voltage is provided (pin 6, TMP) relative to ground and proportional to the temperature in degrees C. The slope is approximately -10.82mV/ $^{\circ}$ C. The output voltage follows the equation:

$$T = (2.127 - V) (92.42)$$

Where V is the TMP output voltage and T is the substrate temperature in degrees C.

THERMAL SHUTDOWN

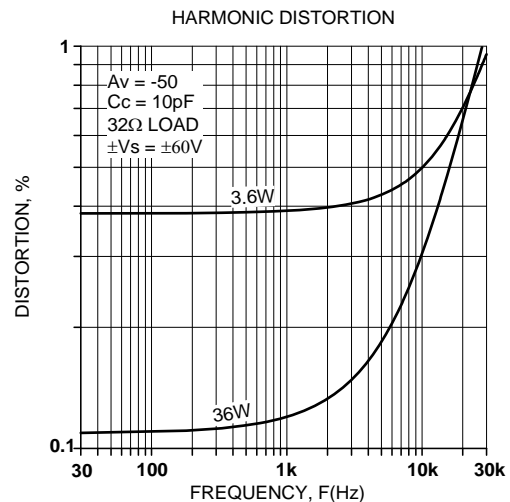
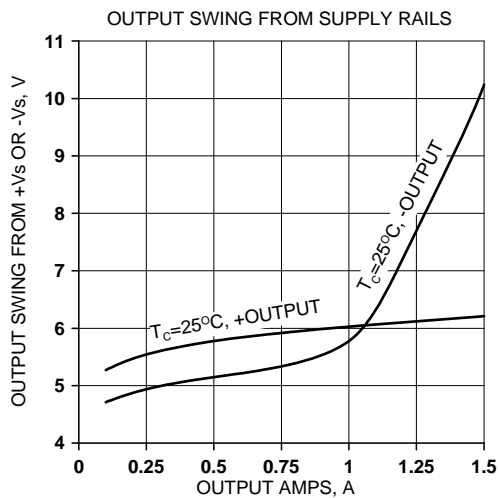
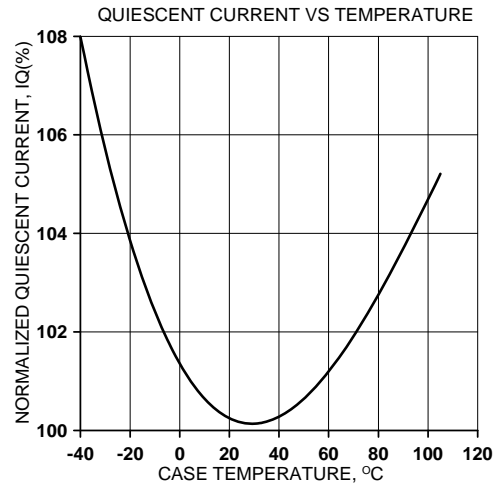
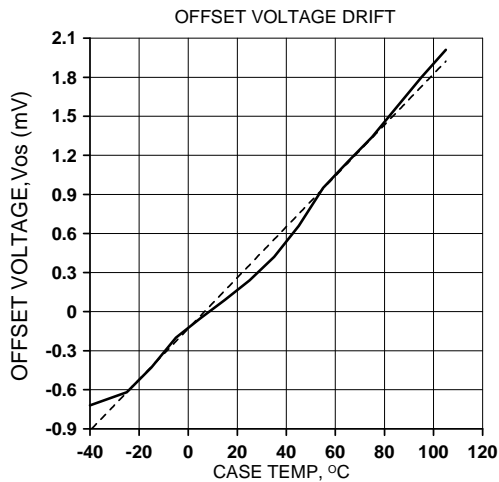
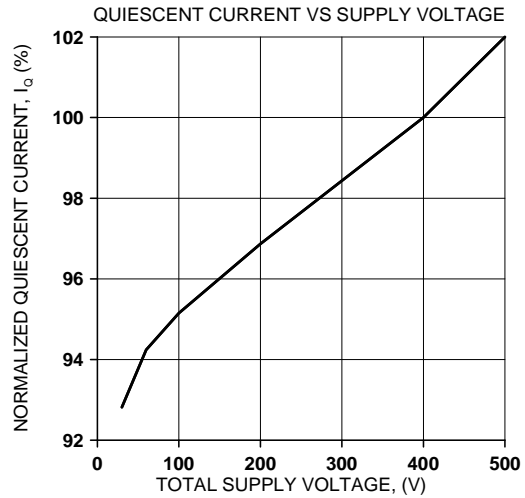
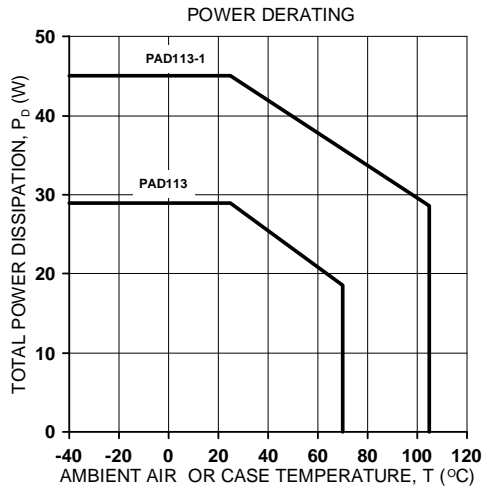
The temperature monitoring circuit automatically turns off the amplifier when the substrate temperature reaches 110 $^{\circ}$ C. When the substrate cools down 10 $^{\circ}$ C the amplifier is enabled once again. The thermal shutdown feature is activated either by long term amplifier overloads or a failure of the fan circuit.

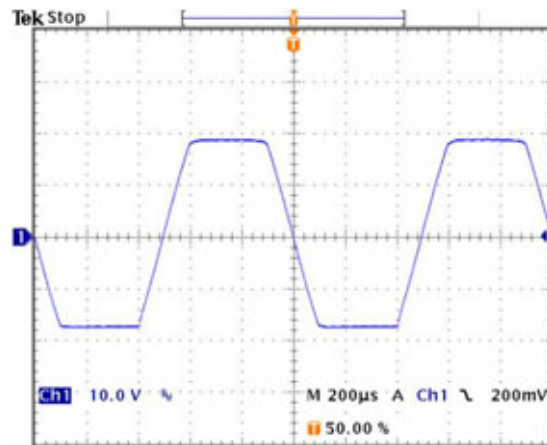
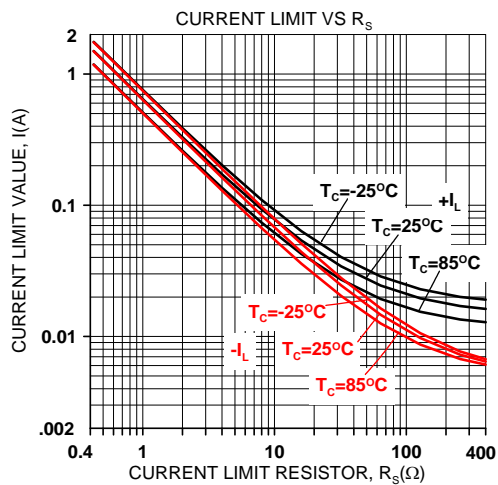
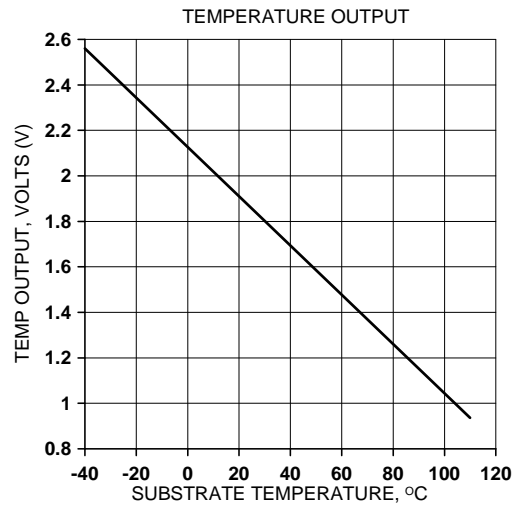
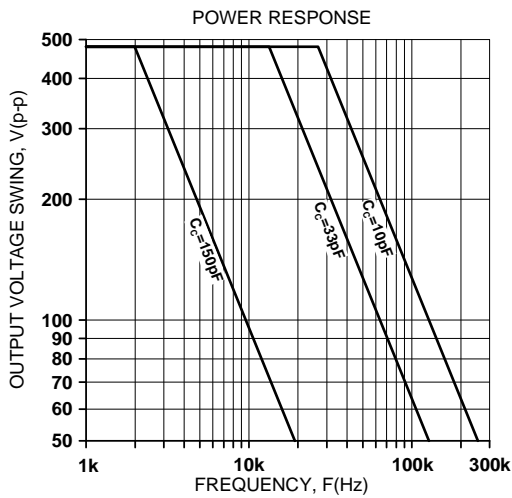
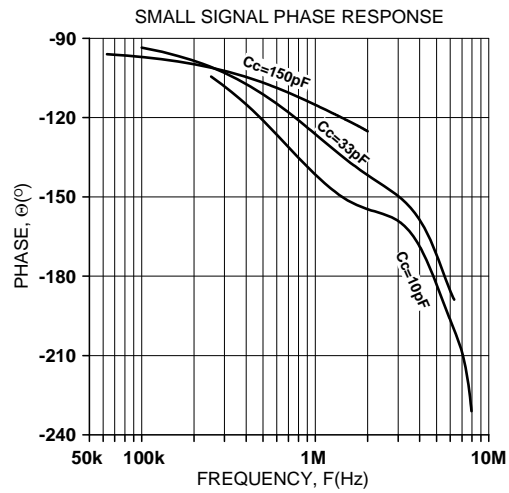
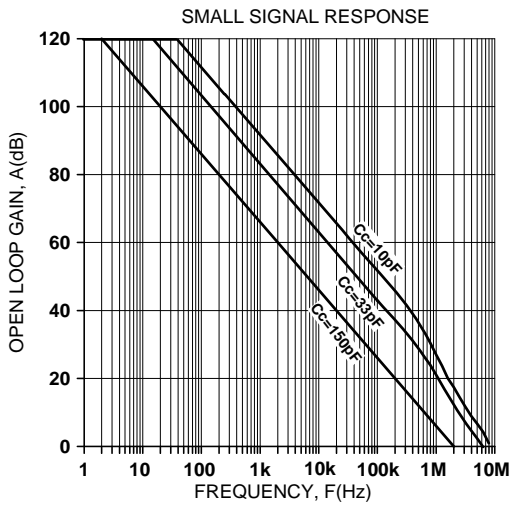
EXTERNAL SHUTDOWN

When pin 7 (\overline{SD}) is taken low (ground) the amplifier is turned “off” and remains “off” as long as pin 7 is low. When pin 7 is monitored with a high impedance circuit it also functions as a flag, reporting when the amplifier is shut down. A “high” (+5V) on pin 7 indicates the temperature is in the normal range. A “low” (ground) indicates a shutdown condition. See **Application Circuits** for details on how to implement an external shutdown circuit and how to monitor the shutdown status when temperature is in the normal range. A “low” (ground) indicates a shutdown condition.

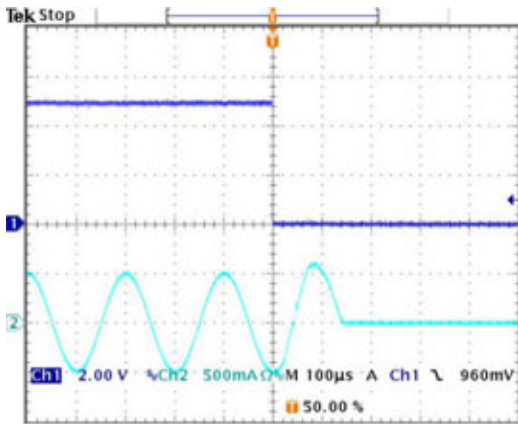
PHASE COMPENSATION

The PAD113 **must** be phase compensated. The compensation capacitor, C_C , is connected between pins 4 and 5. The compensation capacitor must be an NPO type capacitor rated for the full supply voltage (500V). On page 2, under Amplifier Pinout and Connections, you will find a table that gives recommended compensation capacitance value for various circuit gains and the resulting slew rate for each capacitor value. Consult also the small signal response and phase response plots for the selected compensation value in the Typical Performance Graphs section. A compensation capacitor less than 10pF is not recommended.





1kHz sine clipped by current limit into 250 Ω load

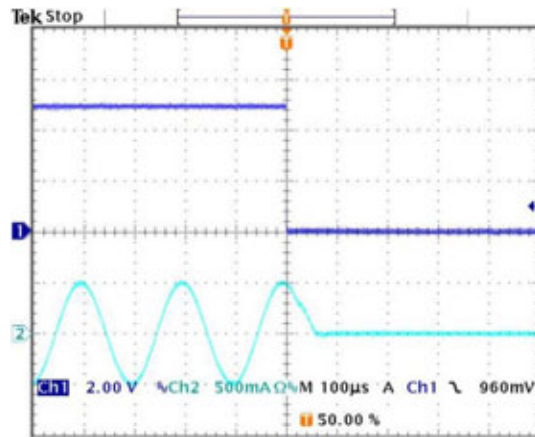


SHUTDOWN RESPONSE, NEGATIVE OUTPUT TO ZERO TRANSITION

The oscilloscope display at the left shows a view of a 5kHz, 1A p-p amplifier output signal being interrupted near the negative peak by a shutdown signal on Ch1. The Ch2 display shows the output *current* going to zero about 150µs after the shutdown signal goes low.

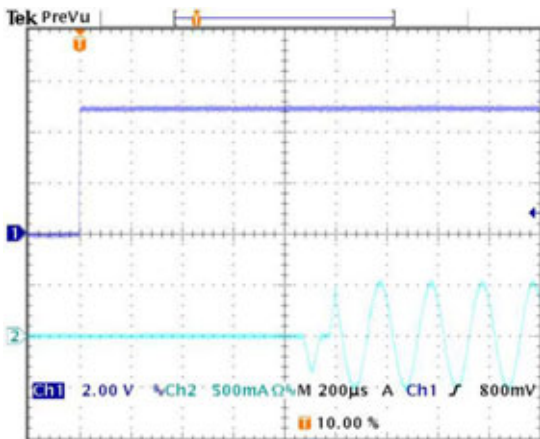
SHUTDOWN RESPONSE, POSITIVE OUTPUT TO ZERO TRANSITION

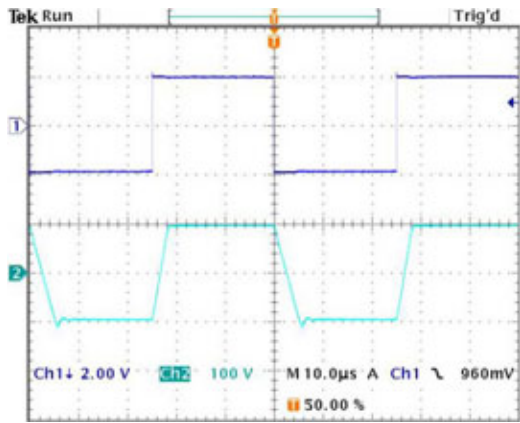
The oscilloscope display at the right shows a view of a 5kHz, 1A p-p amplifier output signal being interrupted near the positive peak by a shutdown signal on Ch1. The Ch2 display shows the output *current* going to zero about 50µs after the shutdown signal goes low.



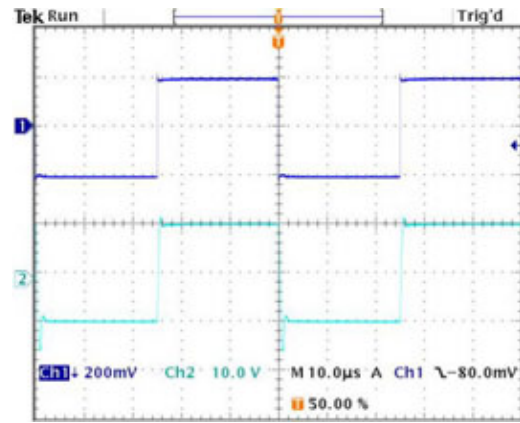
SHUTDOWN RECOVERY

The oscilloscope display at the left shows a view of a 5kHz, 1A p-p amplifier output signal on Ch2 resuming normal operation after a shutdown signal on Ch1 go high (not shutdown). The output signal resumes normal operation after a delay of about 1mS.

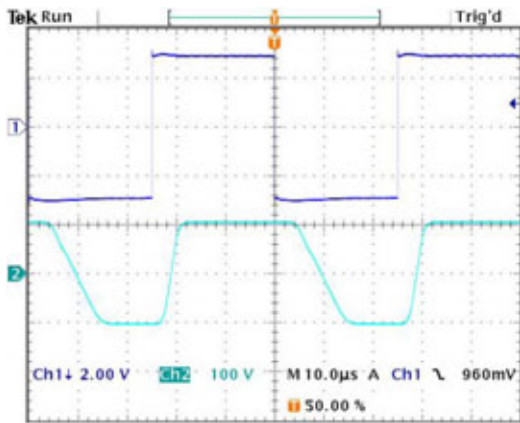




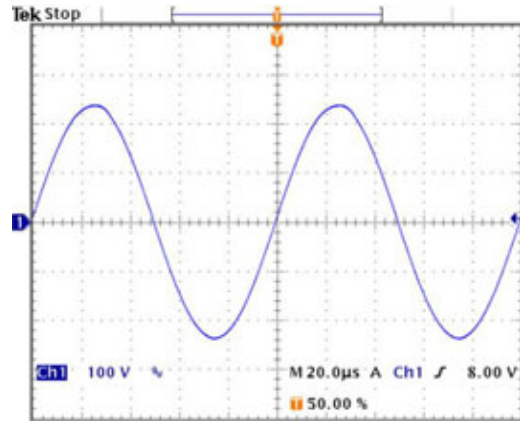
Pulse Response, 20kHz, 200Vp-p
G=-50, Cc=10pF



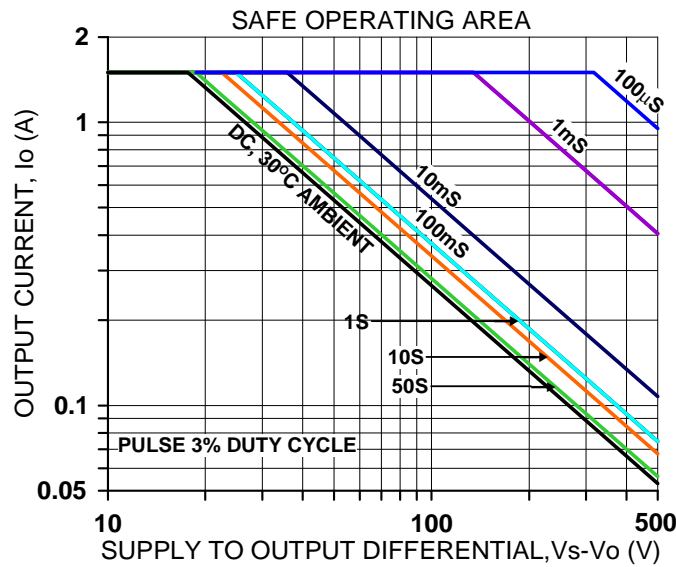
Pulse Response, 20kHz, 20Vp-p
G=-50, Cc=10pF



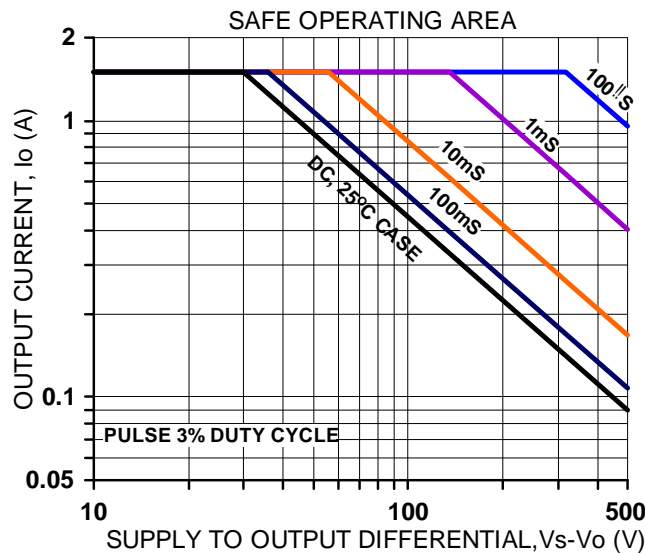
Pulse Response, Overloaded Input, 20kHz, 200Vp-p
G=-50, Cc=10pF



10kHz sine into 250Ω load, G=-50, Cc=10pF



SOA PAD113

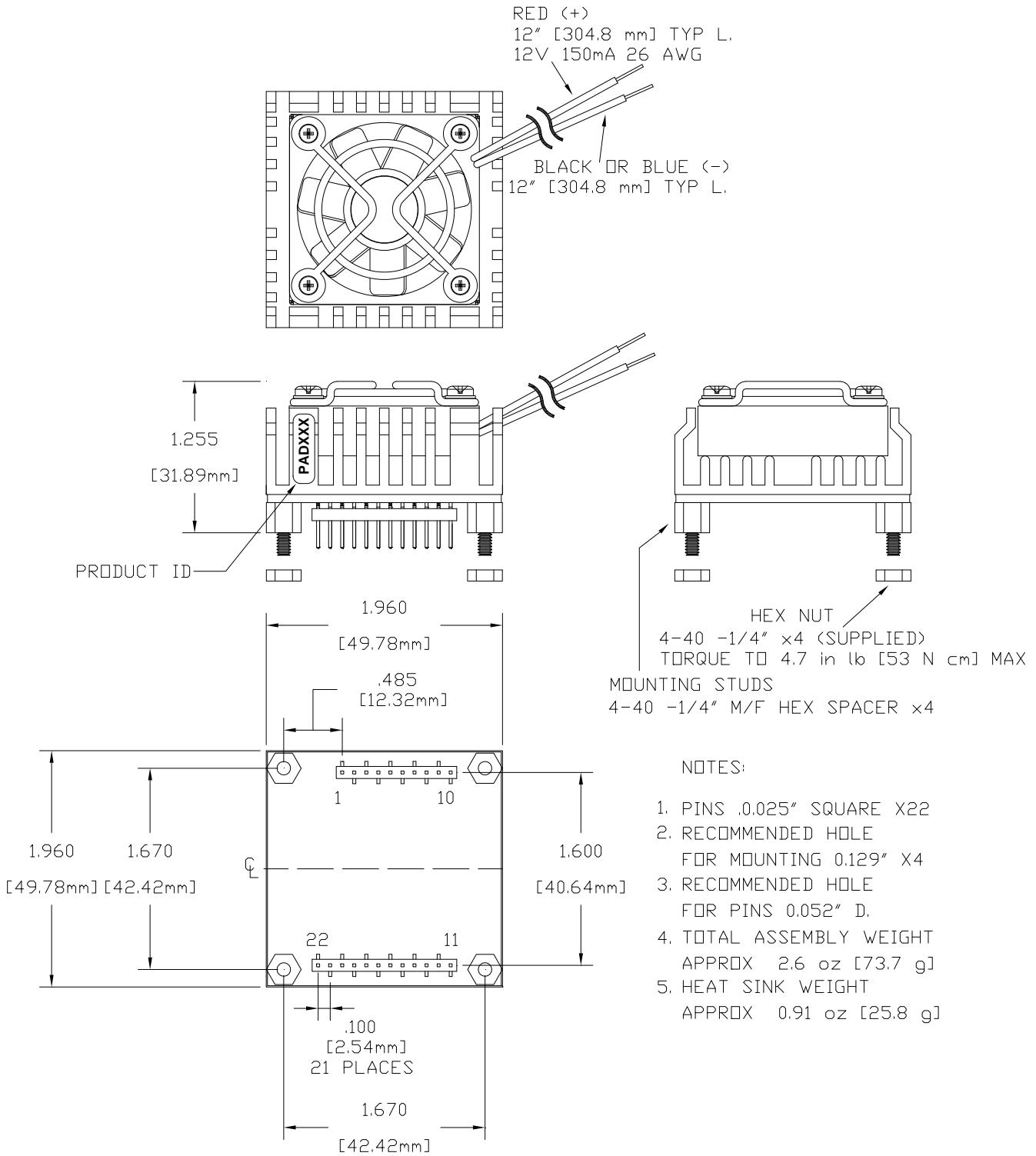


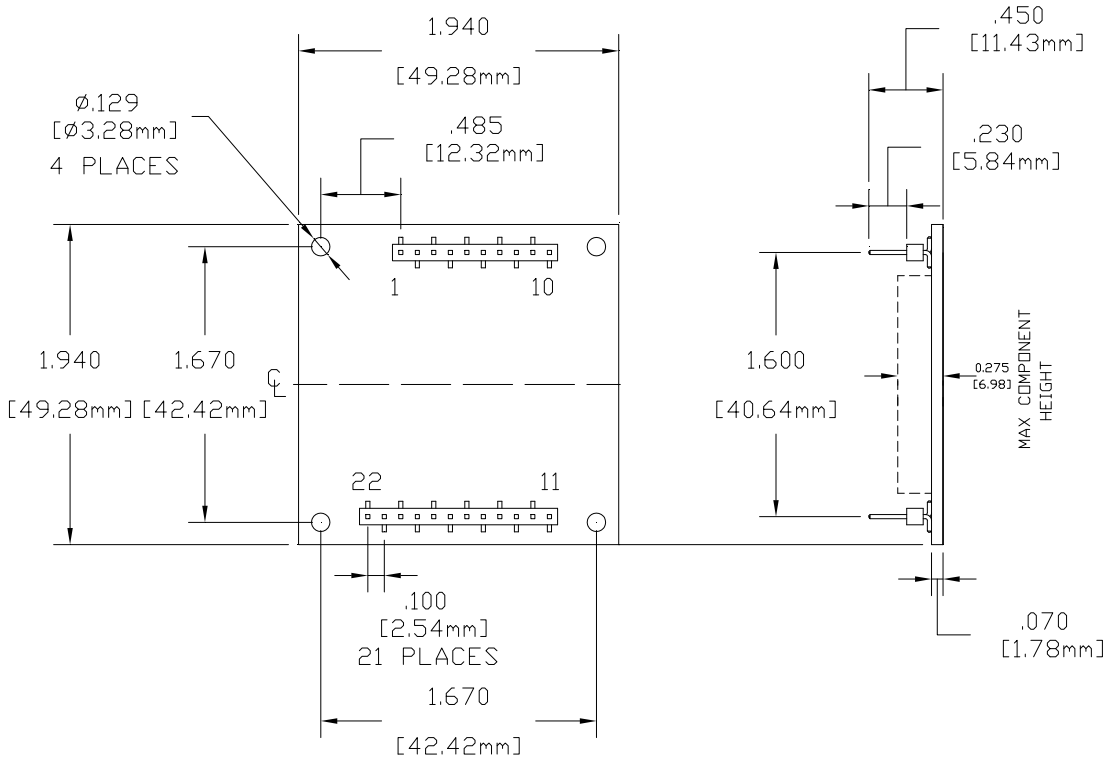
SOA PAD113-1

SAFE OPERATING AREA

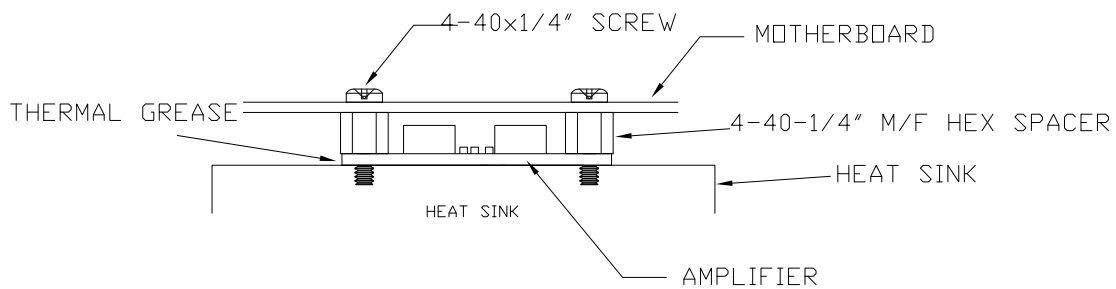
The safe operating area (SOA) of a power amplifier is its single most important specification. The SOA graph presented above serves as a first approximation to help you decide if the PAD113 will meet the demands of your application. But a more accurate determination can be reached by making use of the **PAD Power**™ spreadsheet which can be found in the *Power Amp Design* website under *Design Spreadsheet* tab. While the graph above adequately shows DC SOA and some pulse information it does not take into account ambient temperatures higher than 30°C, AC sine, phase or non-symmetric conditions that often appear in real-world applications. The **PAD Power**™ spreadsheet takes all of these effects into account.

Power Amp Design ♦ PAD113 ♦ HIGH VOLTAGE OPERATIONAL AMPLIFIER





- NOTES: 1: DIMENSIONS ARE INCHES, [mm]
 2: PINS 0.025" SQUARE [0.635mm], GOLD PLATED
 3: RECOMMENDED HOLE FOR MOUNTING 0.129" D. x2 [3.277mm]
 4: RECOMMENDED HOLE FOR PINS 0.052" D. [1.321mm]
 5: HIGHLY RECOMMENDED THAT AMPLIFIER IS MOUNTED INTO CAGE JACKS USING PAD PART NUMBER CJS01. USE 0.062" [1.575mm] HOLE FOR CAGE JACKS.
 6: HIGHLY RECOMMENDED THAT AMPLIFIER IS MOUNTED INTO HEAT SINK WITH 4-40 M/F SPACERS TO PROVIDE STRAIN RELIEF FOR PINS. SEE DRAWING BELOW.
 7: APPROXIMATE WEIGHT: 0.50Z, 14.4g



PAD113-1

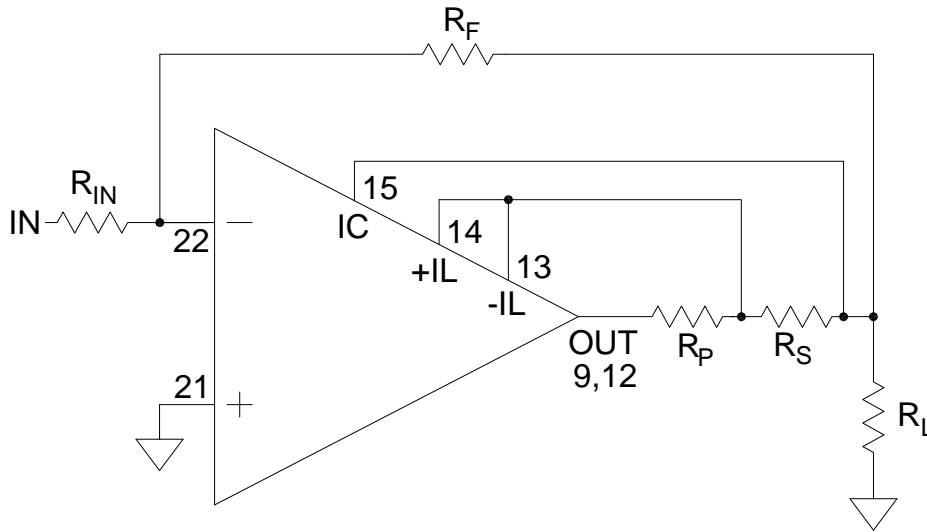


FIGURE 1.
4-WIRE CURRENT LIMIT

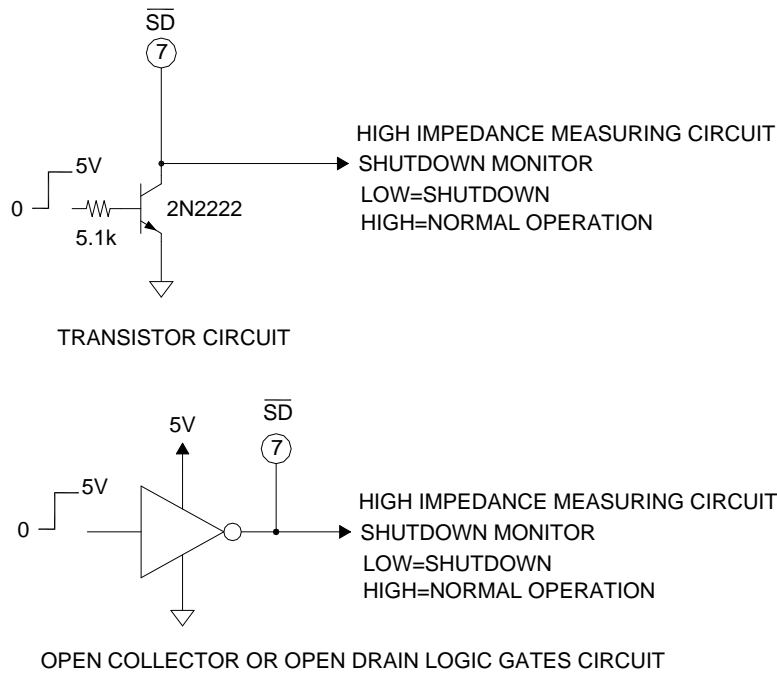


FIGURE 2.
EXTERNAL SHUTDOWN WITH MONITOR

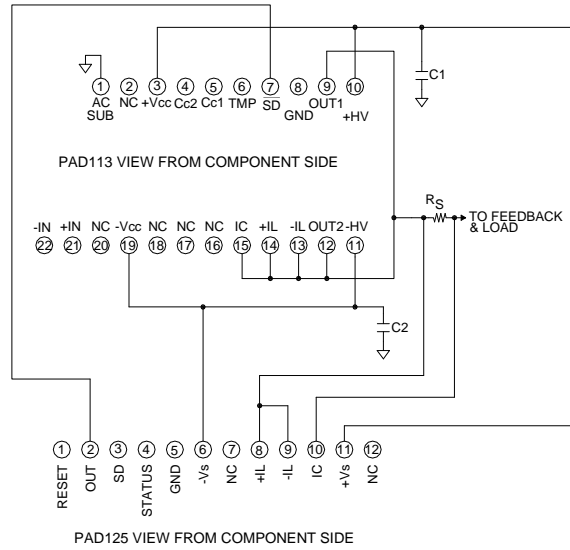


FIGURE 4
TYPICAL PAD113 CONNECTIONS TO PAD125 ACCESSORY MODULE

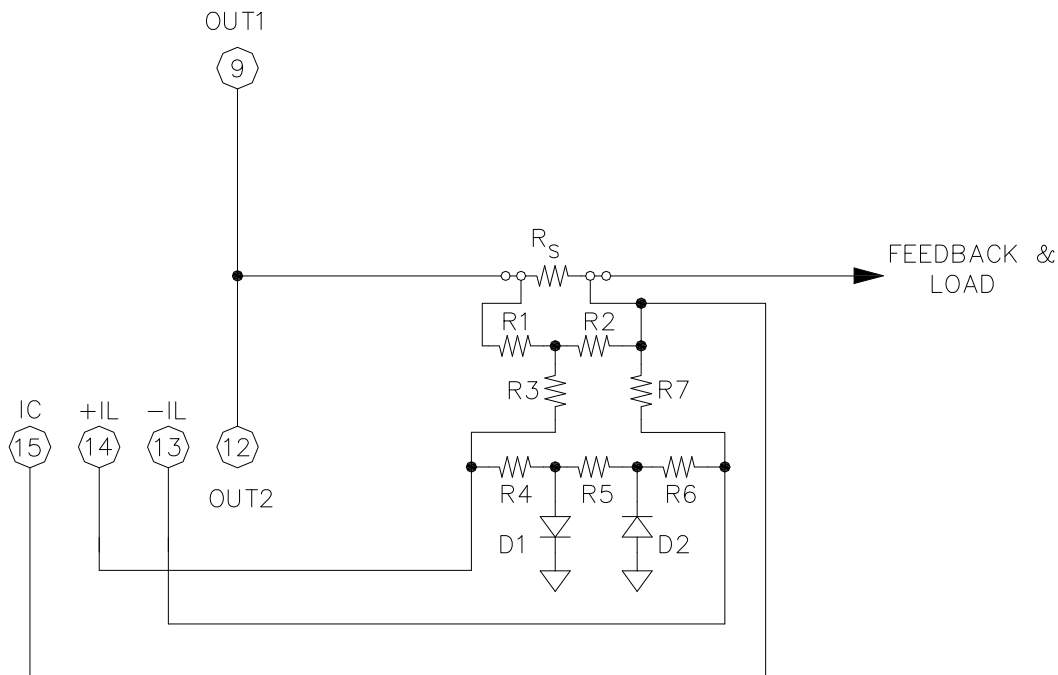


FIGURE 5
DUAL SLOPE (FOLD-OVER) CURRENT LIMIT

With the three current limit function pins (pins 13-15) dual slope current limiting can be implemented that more closely approximates the SOA curve of the amplifier than can be achieved with standard current limiting techniques. Values for resistors R1-R7 and R_S can be calculated using the **PAD Power**™ Excel spreadsheet that can be downloaded from the Power Amp Design web site under the *Design Spreadsheet* tab.